


FRONT VIEW

SIDE VIEW

TABLE "A" RAFTER SPANS (DOUGLAS FIR #2 OR BETTER)			TABLE "B" HEADER SIZE & SPANS (DOUGLAS FIR #2 OR BETTER)			TABLE "C" FOOTING SIZE		TABLE "D" LEDGER BOLTING
SIZE	SPACING	SPAN	RAFTER SPAN	HEADER		BASED ON 1000 P.S.F. SOIL BEARING PRESSURE.		ALL LAG BOLTS SHALL HAVE 1/4" PRE-DRILLED HOLES - (SEE NOTE 2)
				SPAN	SIZE			
2 x 4	12" O.C.	9'-10"	UP TO 12'-0"	8'-0" MAX	4 x 6	18" SQ. X 12" DEEP	3/8" DIA. X 5" LONG AT 16" O.C. STAGGERED	
	16" O.C.	8'-11"		10'-0" MAX	4 x 8	18" SQ. X 12" DEEP		
	24" O.C.	7'-8"		12'-0" MAX	4 x 10	18" SQ. X 12" DEEP		
	32" O.C.	*6'-3"		14'-0" MAX	4 x 12	18" SQ. X 12" DEEP		
2 x 6	12" O.C.	15'-4"	12'-1" TO 20'-0"	8'-0" MAX	4 x 8	24" SQ. X 12" DEEP	(2) 3/8" DIA X 5" LONG AT 16" O.C.	
	16" O.C.	13'-9"		10'-0" MAX	4 x 10	24" SQ. X 12" DEEP		
	24" O.C.	11'-3"		12'-0" MAX	4 x 12	24" SQ. X 12" DEEP		
	32" O.C.	*9'-7"		14'-0" MAX	4 x 14	24" SQ. X 12" DEEP		
2 x 8	12" O.C.	20'-0"	NOTES: 1. TWO 2X MEMBERS MAY BE SUBSTITUTED FOR ONE 4X HORIZONTAL FRAMING MEMBER. 2. LAG BOLTS MUST FULLY ENGAGE A WOOD STUD OR RIM JOIST AND BE PROVIDED WITH APPROPRIATE WASHERS. LAG BOLTS SHALL BE LOCATED A MINIMUM OF 1-1/2" FROM THE TOP OR BOTTOM OF THE LEDGER. 3. NOT DESIGNED TO BE ENCLOSED - ADDITIONAL ENGINEERING ANALYSIS WILL BE REQUIRED IF ENCLOSED. 4. SEE PAGE 2 OF 2 FOR CONSTRUCTION DETAILS.					
	16" O.C.	18'-2"						
	24" O.C.	14'-10"						
	32" O.C.	*12'-8"						
2 x 10	12" O.C.	20'-0"						
	16" O.C.	20'-0"						
	24" O.C.	18'-11"						
	32" O.C.	*16'-2"						
4 x 4	24" O.C.	10'-0"						
	32" O.C.	*9'-3"						
	48" O.C.	*7'-8"						
4 x 6	24" O.C.	15'-11"						
	32" O.C.	*13'-9"						
	48" O.C.	*11'-3"						
4 x 8	24" O.C.	20'-0"						
	32" O.C.	*18'-2"						
	48" O.C.	*14'-10"						

* THIS SPACING AND SPAN IS FOR LATTICE PATIO COVERINGS ONLY.

WESTERN RIVERSIDE COUNTY CODE UNIFORMITY PROGRAM



(909) 799-2800

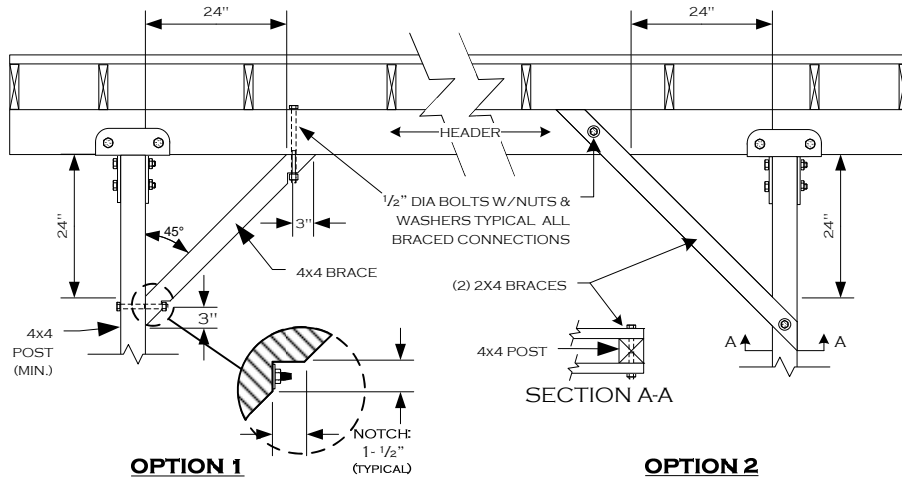
CITY OF LOMA LINDA
BUILDING DEPARTMENT
PATIO COVER STANDARD

25541 BARTON RD.
 LOMA LINDA CA, 92354

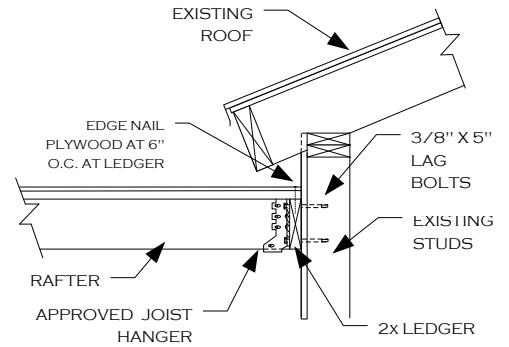
01/08/2007 LLPATIOFNLVSD PAGE 1 OF 2

KNEE BRACE DETAIL AT END POSTS

(REQUIRED WHEN RAFTER SPAN EXCEEDS 12 FT.)



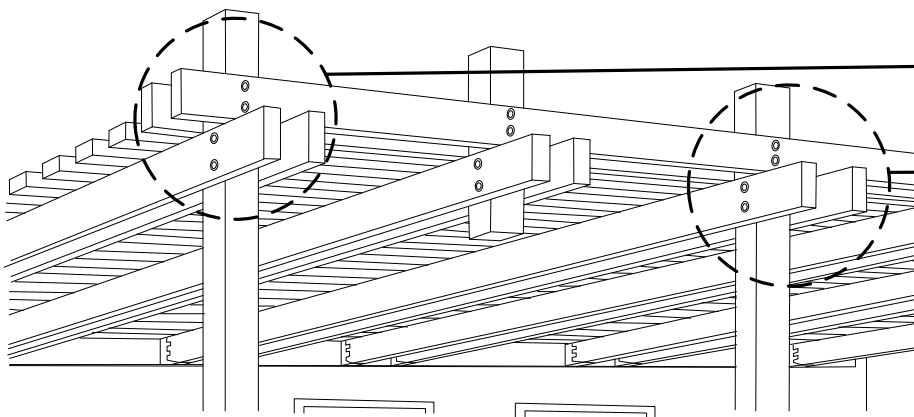
LEDGER ATTACHMENT DETAIL



NOTES:

1. USE A CONTINUOUS 2X LEDGER – SAME DEPTH AS RAFTER OR LARGER
2. SEE TABLE "D" FOR BOLTING REQUIREMENTS

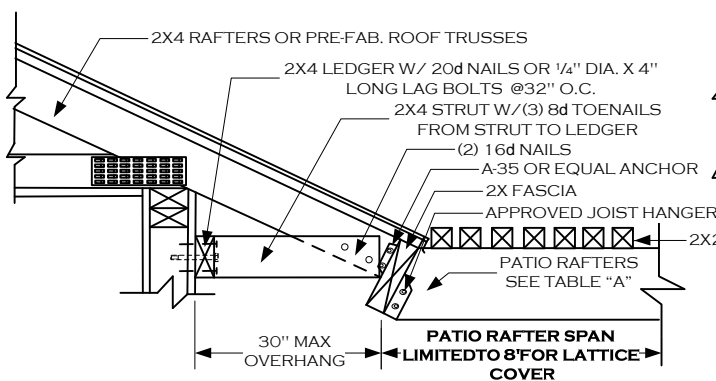
INVERTED HEADER DESIGN OPTION (LATTICE ONLY)



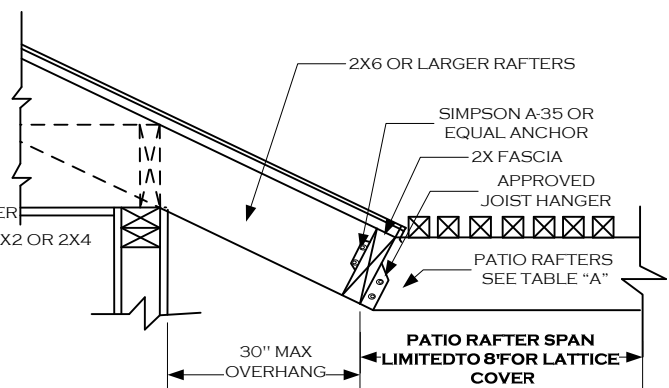
NOTE: KNEE BRACING REQUIRED WHEN RAFTER SPAN EXCEEDS 12 FEET

2X FASCIA (OVERHANG) ATTACHMENT – LATTICE ONLY

OPTION 1



OPTION 2



NOTE: VERIFY STRUCTURAL SOUNDNESS OF ROOF RAFTERS FOR DECAY OR TERMITE DAMAGE, AND REPLACE WITH LIKE MATERIALS AS NEEDED, AFTER CONSULTATION WITH THE BUILDING DEPARTMENT.

WESTERN RIVERSIDE COUNTY CODE UNIFORMITY PROGRAM



(909) 799-2800

CITY OF LOMA LINDA BUILDING DEPARTMENT

PATIO COVER STANDARD

25541 BARTON RD.
LOMA LINDA CA, 92354

01/08/2007

LLPATIOFNLVSD

PAGE 2 OF 2